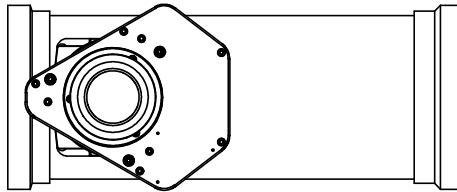


8 7 6 5 4 3 2 1

D

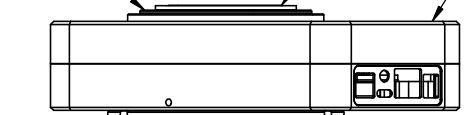
D



STOCK NO 17833
 OPTEC-3000 TO M60X0.75mm
 (FITS EPSILON-130 CORRECTOR)

E-160 CORRECTOR

STOCK NO 19749
 OPTEC HERCULES



PN 7012
 EPSILON SADDLE (OPTEC) TO OPTEC-3600
 (COMPONENT OF STOCK NO. 19819)

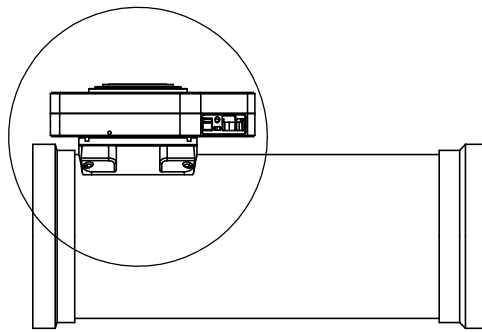
PN 7013
 E-130 SADDLE MOUNT
 (COMPONENT OF STOCK NO. 19819)

C

C

B

B



NOTE: STOCK NO. 19819 INCLUDES PN7012, PN 7013

A

A

8 7 6 5 4 3 2 1

UNLESS OTHERWISE SPECIFIED: DIMENSIONS ARE IN INCHES TWO PLACE DECIMAL ±.007 THREE PLACE DECIMAL ±.003 MATERIAL N/A FINISH SEE NOTES DO NOT SCALE DRAWING	NAME	DATE	Optec Inc. TITLE: HERCULES WITH EPSILON 130 SIZE B DWG. NO. SCALE: 1:5 WEIGHT: SHEET 1 OF 1		
	DRAWN	LD			2/22/234
	CHECKED				
	ENG APPR.				
	MFG APPR.				
	Q.A.				
	CONTRACT				
	HERCULES				

