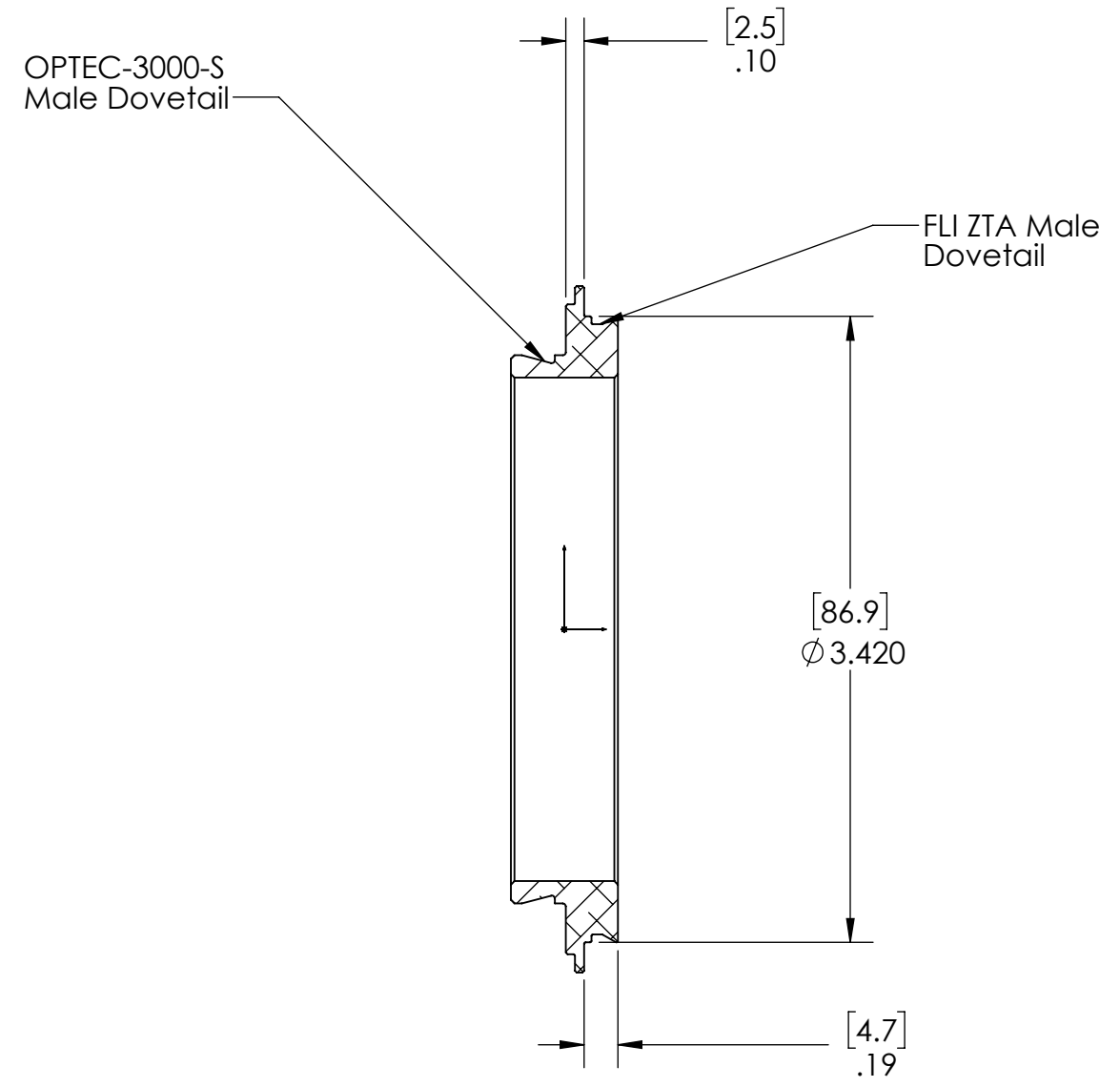
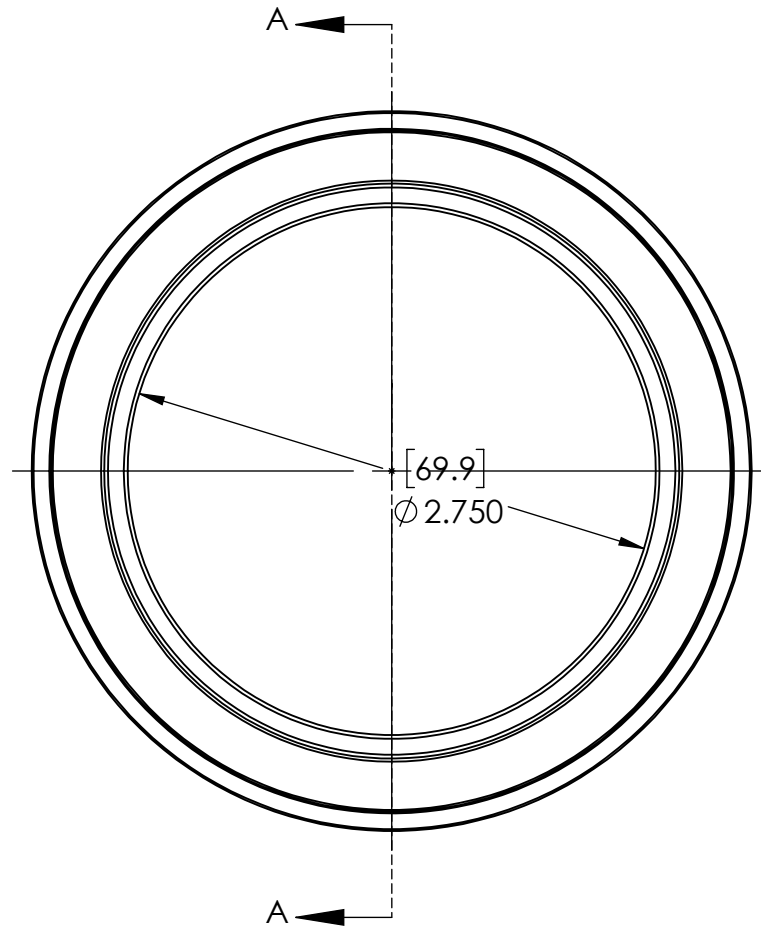
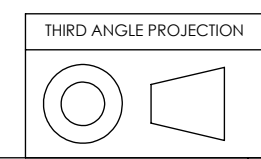


PN 6050
 STK. NO. 19954



SECTION A-A



UNLESS OTHERWISE SPECIFIED: DIMENSIONS ARE IN INCHES TWO PLACE DECIMAL ±.007 THREE PLACE DECIMAL ±.003	DRAWN	NAME	DATE	Optec Inc.
	CHECKED	LD	6/7/19	
	ENG APPR.			
	MFG APPR.			
	Q.A.			
MATERIAL	6061-T6			TITLE:
FINISH	SEE NOTES			OPTEC-3000-S TO 3.43 CENTERLINE ZTA
DO NOT SCALE DRAWING	CONTRACT			SIZE
	OPTEC-3000-S			DWG. NO.
				B 19-06717
				SCALE: 1:1
				WEIGHT:
				SHEET 1 OF 1