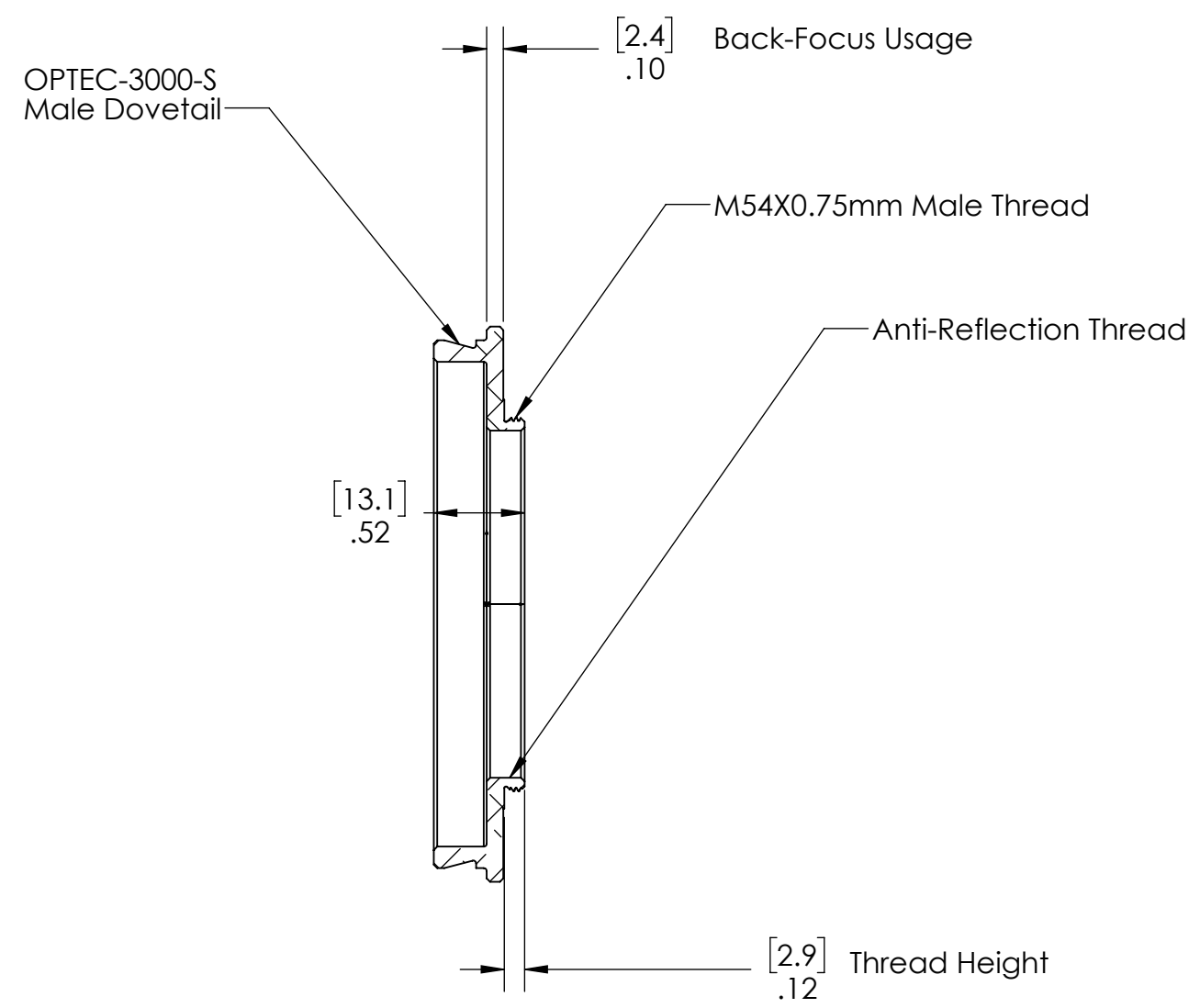
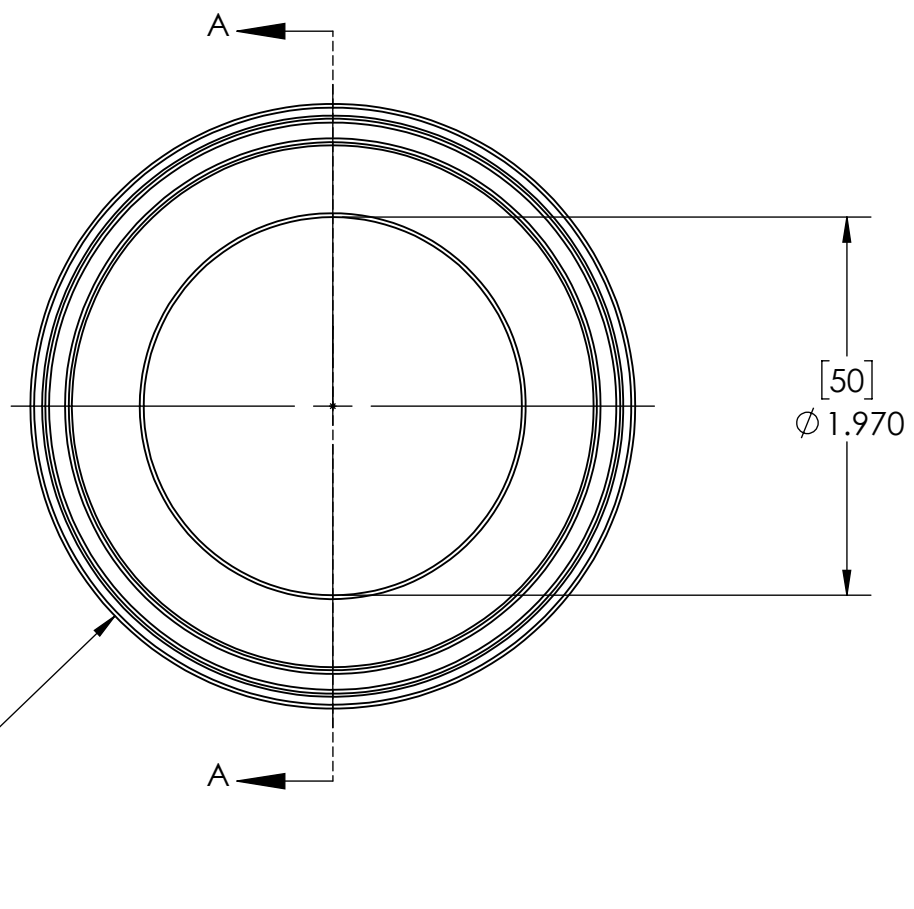
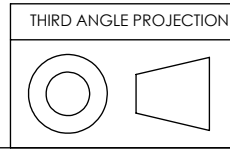


PN 6042  
 STK. NO. 19951



SECTION A-A



UNLESS OTHERWISE SPECIFIED: DIMENSIONS ARE IN INCHES TWO PLACE DECIMAL ±.007 THREE PLACE DECIMAL ±.003	DRAWN	NAME	DATE	<b>Optec Inc.</b>
	CHECKED	LD	6/18/19	
	ENG APPR.			
	MFG APPR.			
MATERIAL	CONTRACT			TITLE:
6061-T6	OPTEC-3000-S			OPTEC-3000-S TO M54
FINISH	SEE NOTES			SIZE DWG. NO.
DO NOT SCALE DRAWING				<b>B</b> 19-06714
	SCALE: 1:1	WEIGHT:	SHEET 1 OF 1	