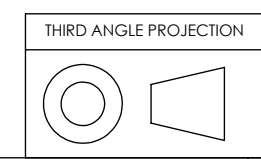
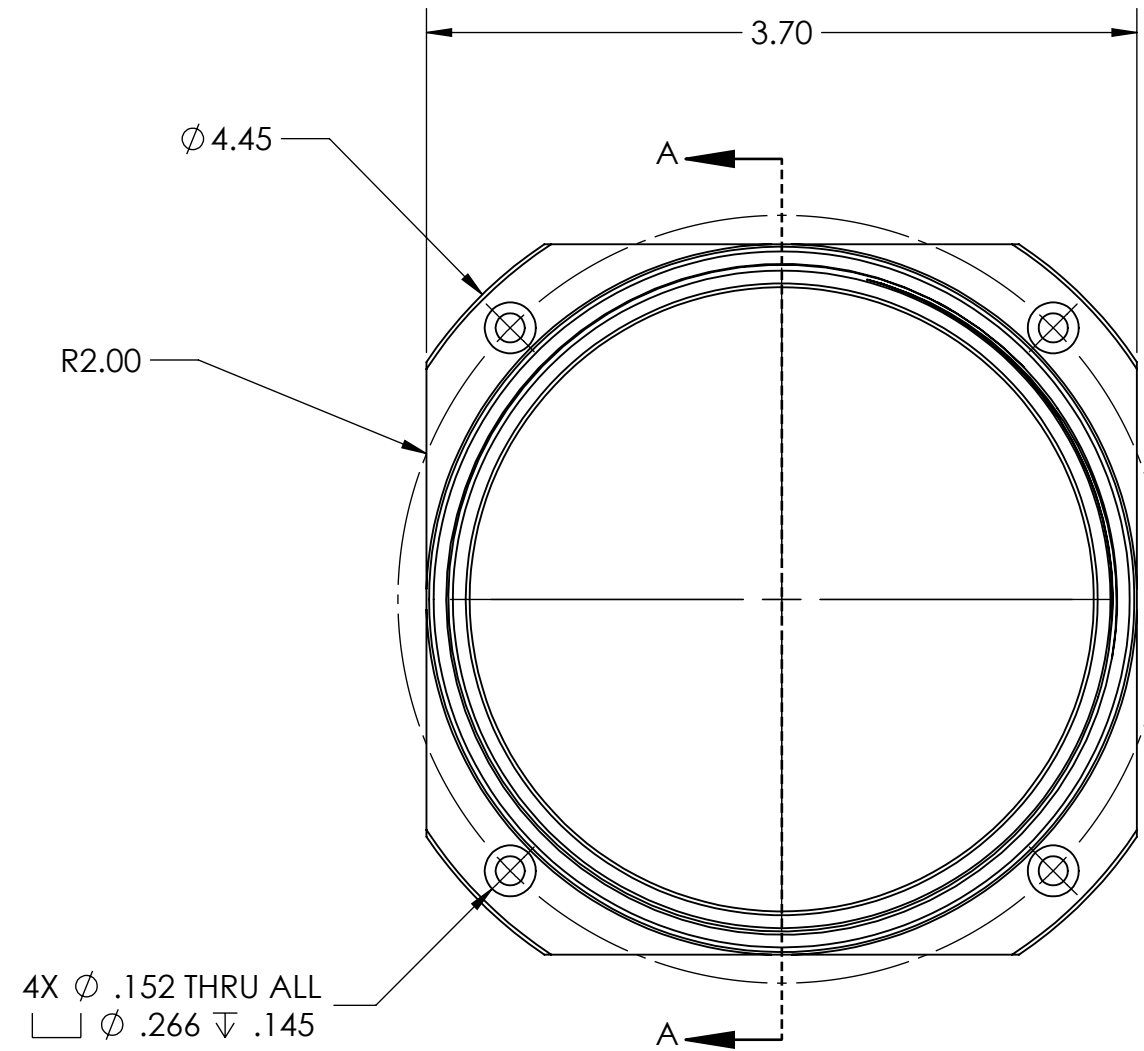
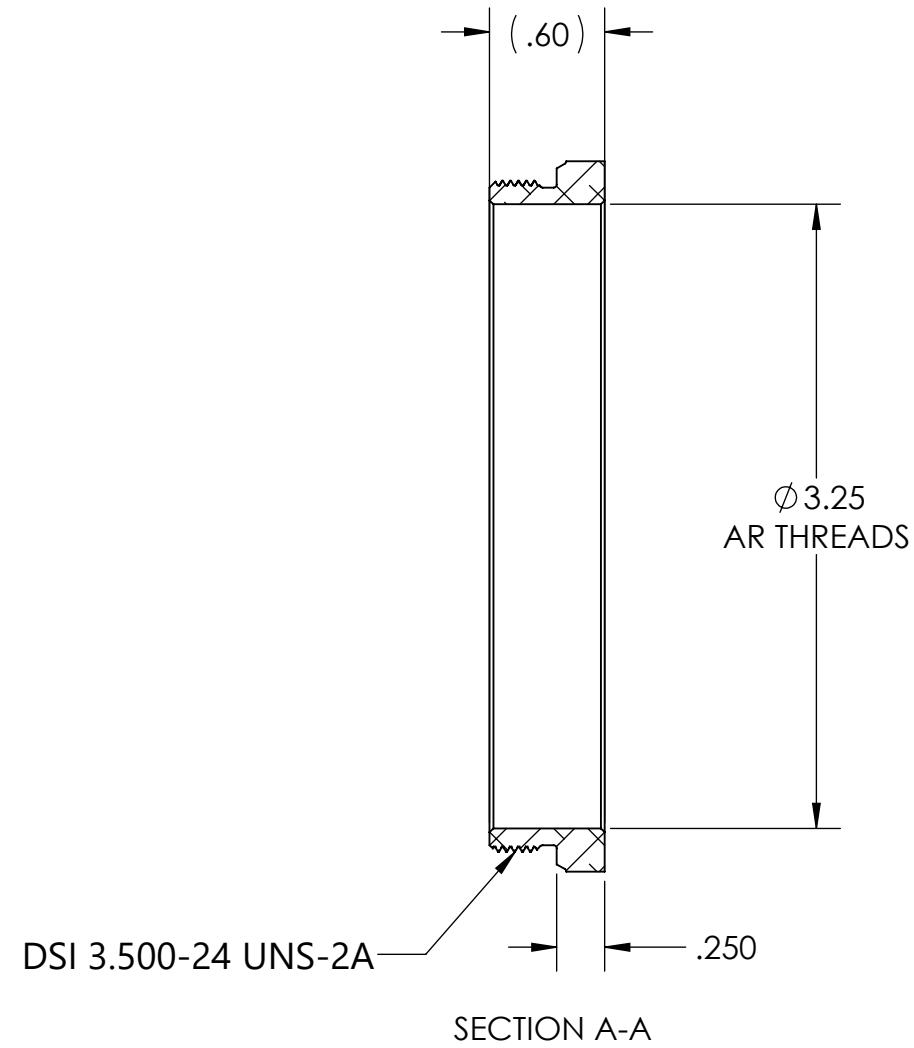


PN 7097
 STK. NO. 19922



UNLESS OTHERWISE SPECIFIED: DIMENSIONS ARE IN INCHES TWO PLACE DECIMAL $\pm .007$ THREE PLACE DECIMAL $\pm .003$	DRAWN	NAME	DATE	Optec Inc.
	CHECKED	LD	4/12/22	
	ENG APPR.			
	MFG APPR.			
MATERIAL	CONTRACT			TITLE: DSI 3.5X24 TO STXL 4-BOLT
6061-T6	DSI			
FINISH	SEE NOTES			SIZE DWG. NO. B 19-06823
DO NOT SCALE DRAWING				SCALE: 1:1 WEIGHT: SHEET 1 OF 1