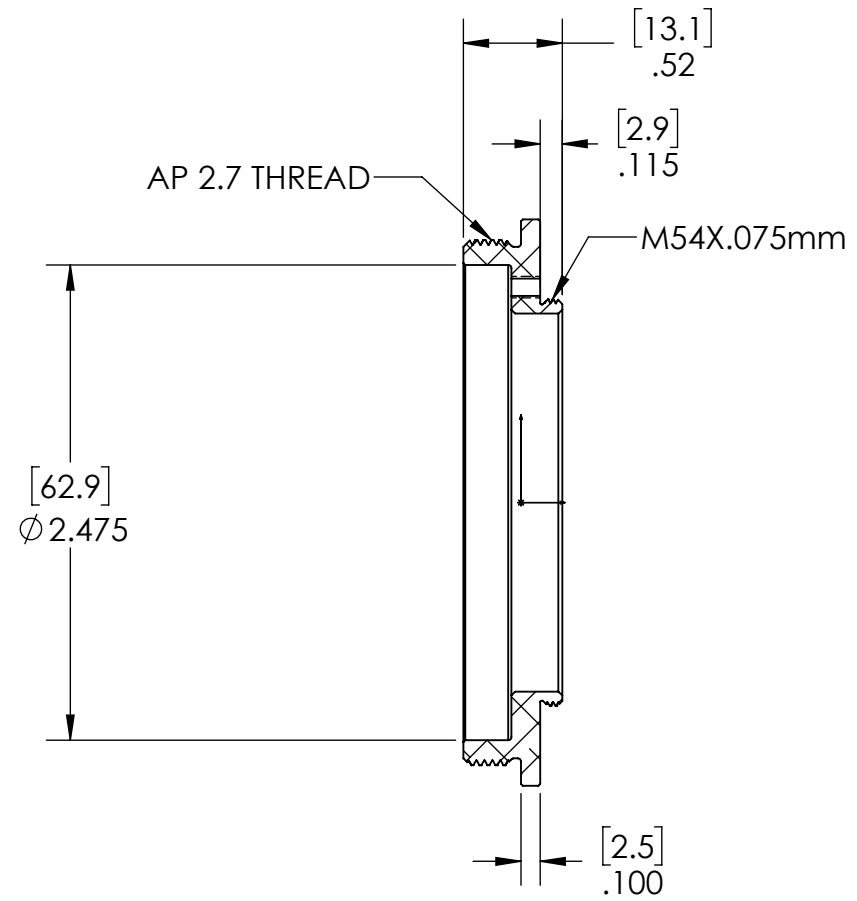
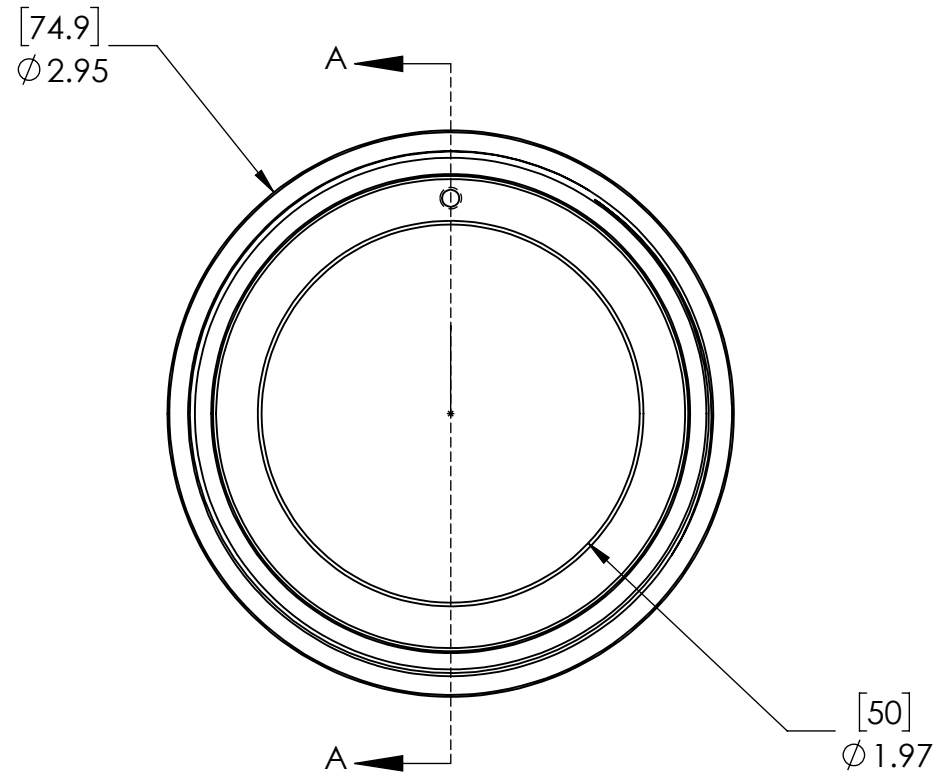
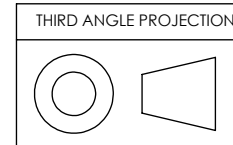


PN 5941
 STK NO. 19878



SECTION A-A



UNLESS OTHERWISE SPECIFIED: DIMENSIONS ARE IN INCHES TWO PLACE DECIMAL ±.007 THREE PLACE DECIMAL ±.003	DRAWN	NAME	DATE	Optec Inc.
	CHECKED	LD	1/2/18	
	ENG APPR.			
	MFG APPR.			
MATERIAL	CONTRACT			TITLE:
6061-T6	AP 2.7 ADAPTERS			AP2.7 TOM54X0.75mm
FINISH	SEE NOTES			SIZE
DO NOT SCALE DRAWING				B
				DWG. NO.
				19-06760
				SCALE: 1:1
				WEIGHT:
				SHEET 1 OF 1