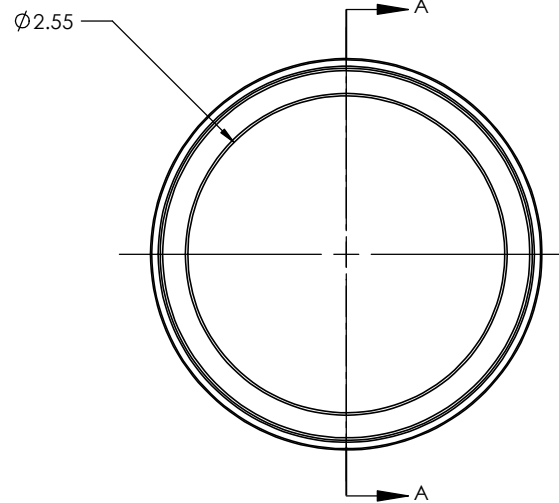
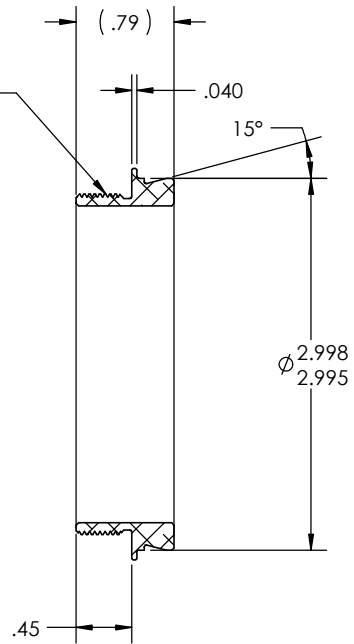


PN 5999
 STK NO 19871

ASTRO-PHYSICS 2.7" THREAD



UNLESS OTHERWISE SPECIFIED: DIMENSIONS ARE IN INCHES TOLERANCES: FRACTIONAL ± ANGULAR: MACH ± BEND ± TWO PLACE DECIMAL ±.007 THREE PLACE DECIMAL ±.003	DRAWN	NAME	DATE	Optec Inc. TITLE: AP2.7 TO OPTEC-3000S
	CHECKED	LD	01/31/19	
	ENG APPR.			
	MFG APPR.			
	Q.A.			
MATERIAL	CONTRACT			SIZE
6061-T6	OPTEC-3000S			DWG. NO.
FINISH				B
SEE NOTES				19-06712
DO NOT SCALE DRAWING				SCALE: 1:1
			WEIGHT:	SHEET 1 OF 1

