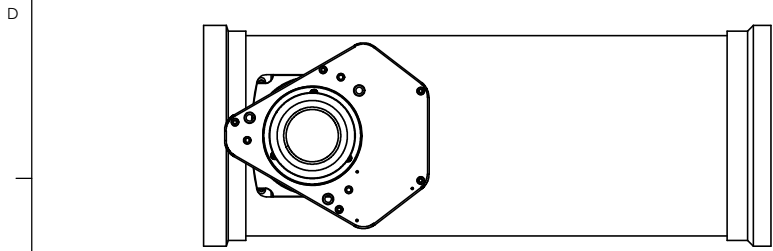


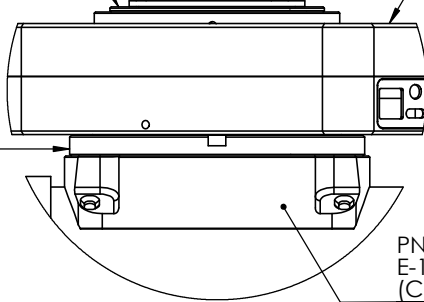
8 7 6 5 4 3 2 1



STOCK NO 17833
 OPTEC-3000 TO M60X0.75mm
 (FITS EPSILON-160 CORRECTOR)

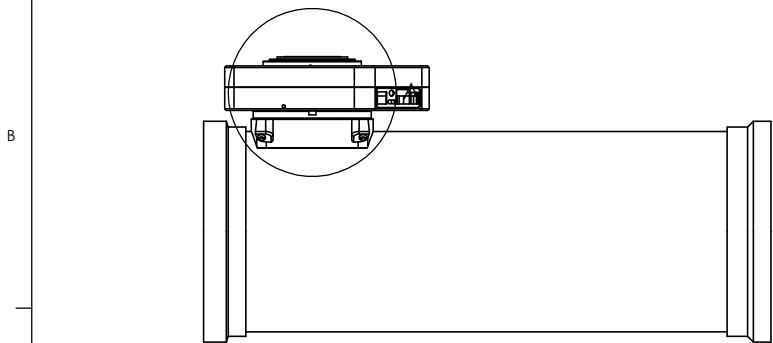
E-160 CORRECTOR

STOCK NO 19749
 OPTEC HERCULES



PN 7012
 EPSILON SADDLE (OPTEC) TO OPTEC-3600
 (COMPONENT OF STOCK NO. 19817)

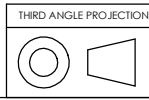
PN 7083
 E-160 SADDLE MOUNT
 (COMPONENT OF STOCK NO. 19817)



NOTE: STOCK NO 19817 INCLUDES PN7012, PN 7083

A

UNLESS OTHERWISE SPECIFIED: DIMENSIONS ARE IN INCHES TWO PLACE DECIMAL ±.007 THREE PLACE DECIMAL ±.003 MATERIAL N/A FINISH SEE NOTES DO NOT SCALE DRAWING	NAME	DATE	Optec Inc.	
	DRAWN	LD		
	CHECKED			TITLE:
	ENG APPR.			HERCULES WITH EPSILON 160
	MFG APPR.			SIZE
CONTRACT			B	DWG. NO.
	HERCULES		SCALE: 1:5	WEIGHT:
				SHEET 1 OF 1



8 7 6 5 4 3 2 1