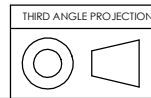
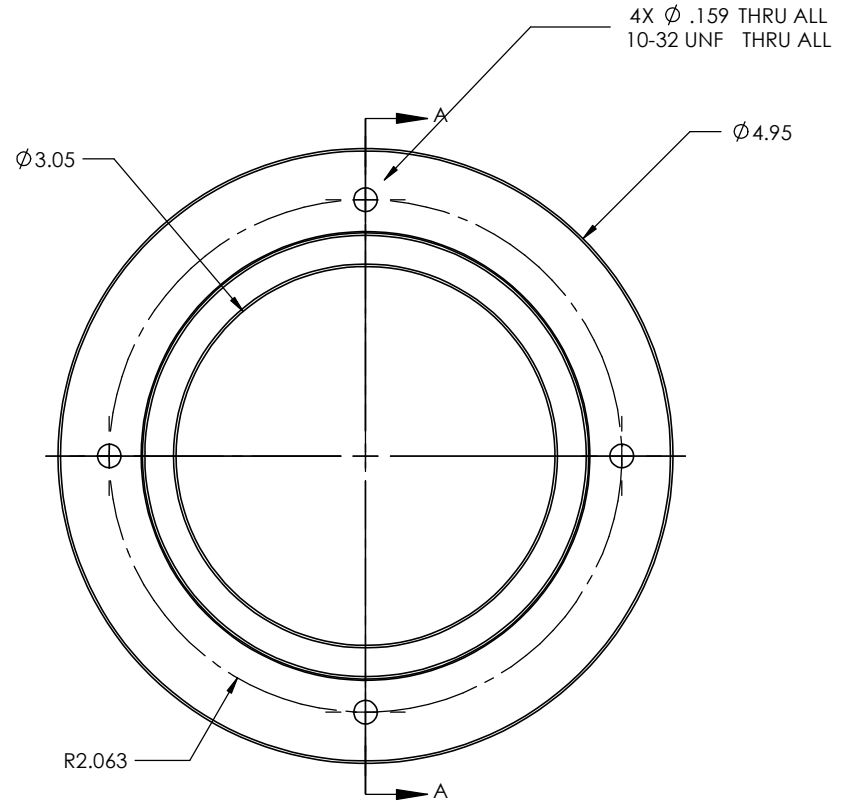
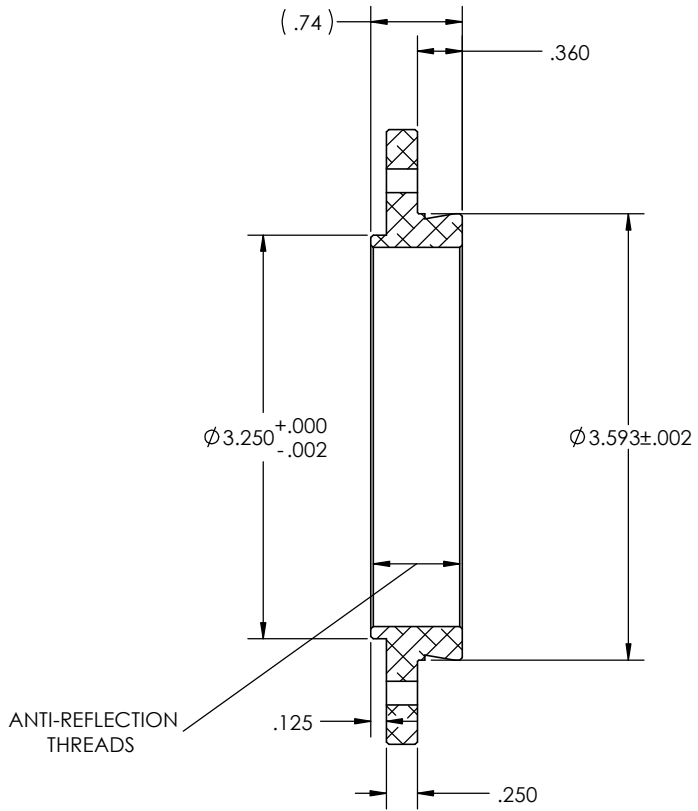


PN 7016
STK NO 19815



UNLESS OTHERWISE SPECIFIED: DIMENSIONS ARE IN INCHES TOLERANCES: FRACTIONAL \pm ANGULAR: MACH \pm BEND \pm TWO PLACE DECIMAL $\pm .007$ THREE PLACE DECIMAL $\pm .003$	DRAWN	NAME	DATE	Optec, Inc.	
	CHECKED	LD	2/26/20		
	ENG APPR.			SECUREFIT CCD SPACER TO OPTEC-3600	
	MFG APPR.				
MATERIAL	CONTRACT		OPTEC 3600		SCALE: 1:1
FINISH					
DO NOT SCALE DRAWING			DWG. NO. 17-06899		