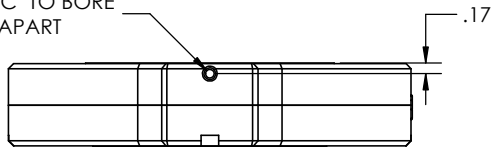
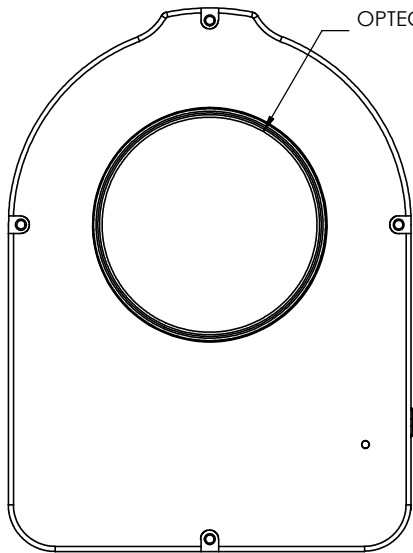


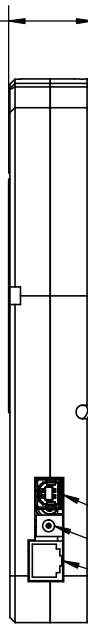
3X 8-32 UNC TO BORE
120° APART



OPTEC/DSI 3.5" INTERNAL THREAD
3.500-24 UNS-2B

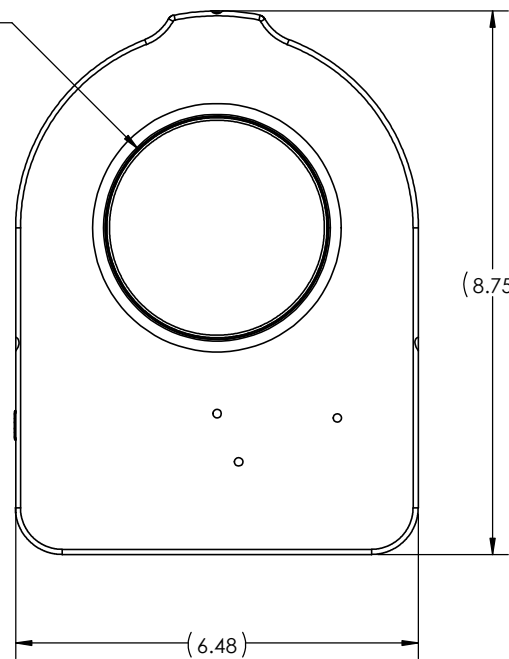


1.35

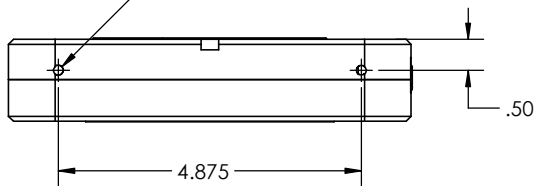


USB
12VDC
ETHERNET

$\varnothing 3.600 \pm .001$
 $\nabla 0.360 \text{ MAX}$



2X 10-32 UNF $\nabla 0.250 \text{ MAX}$



UNLESS OTHERWISE SPECIFIED: DIMENSIONS ARE IN INCHES TWO PLACE DECIMAL $\pm .007$ THREE PLACE DECIMAL $\pm .003$	DRAWN	NAME	DATE	Optec Inc. TITLE: AQUILA88 OVERVIEW
	CHECKED	LD	8/30/23	
	ENG APPR.			
	MFG APPR.			
MATERIAL	6061-T6			Q.A.
FINISH	SEE NOTES			CONTRACT
DO NOT SCALE DRAWING	AQUILA88			SIZE B
SCALE: 1:2		WEIGHT:		SHEET 1 OF 1

THIRD ANGLE PROJECTION

