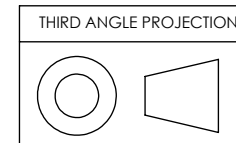
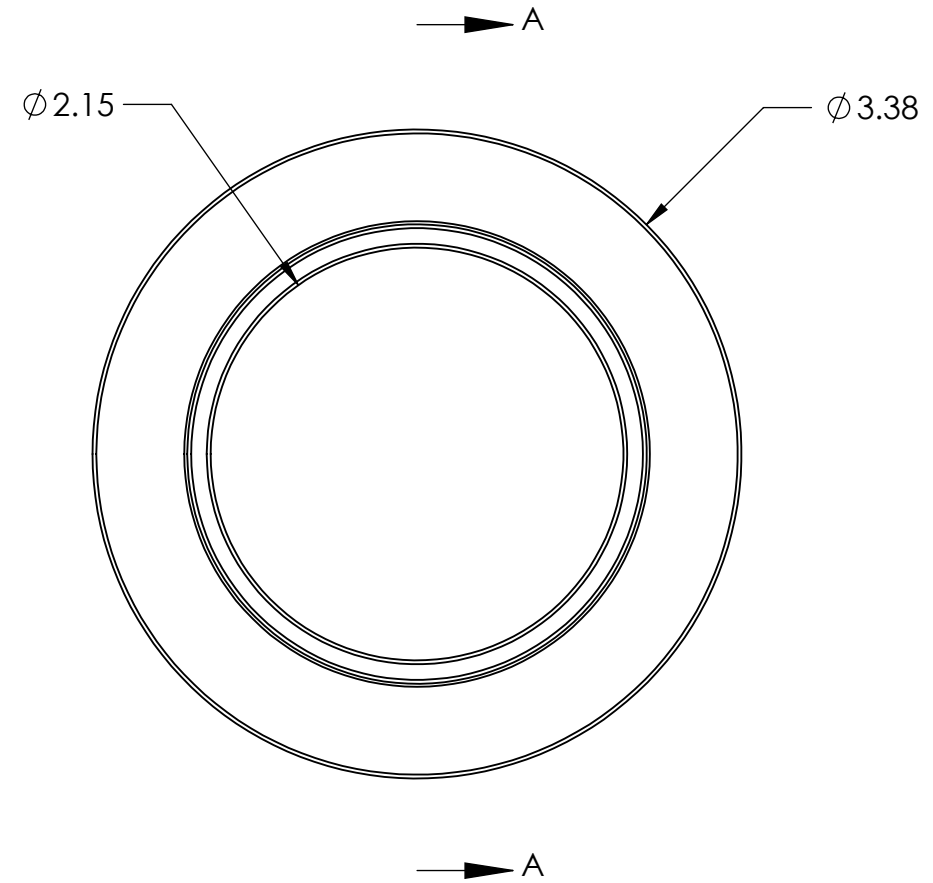
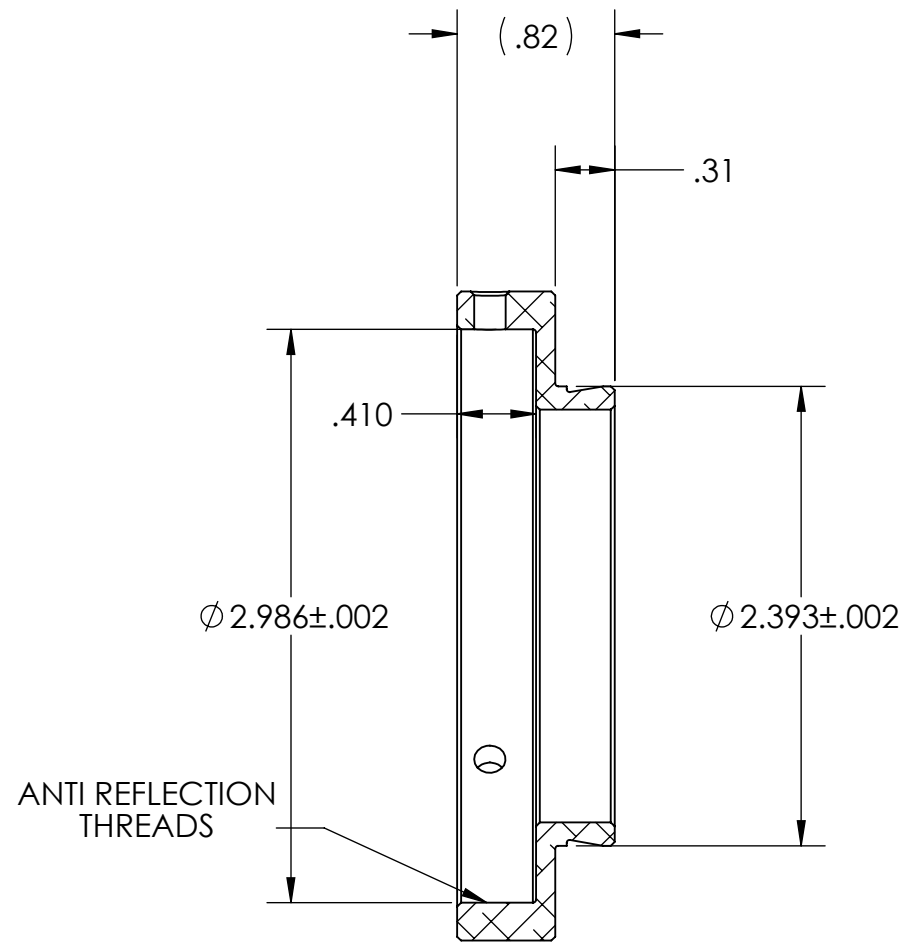
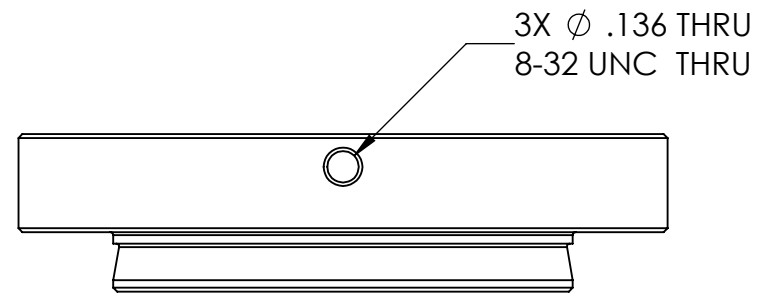


STK. NO. 19668



UNLESS OTHERWISE SPECIFIED: DIMENSIONS ARE IN INCHES TOLERANCES: FRACTIONAL ± ANGULAR: MACH ± BEND ± TWO PLACE DECIMAL ±.007 THREE PLACE DECIMAL ±.003	DRAWN	LD	7/31/2013	Optec Inc. TITLE: WO98FLT TO OPTEC 2400
	CHECKED			
	ENG APPR.			
	MFG APPR.			
MATERIAL 6061-T6	CONTRACT		SIZE	DWG. NO.
FINISH SEE NOTES	OPTEC-2400		B	17-06340
DO NOT SCALE DRAWING			SCALE: 1:1	WEIGHT:
			SHEET 1 OF 1	