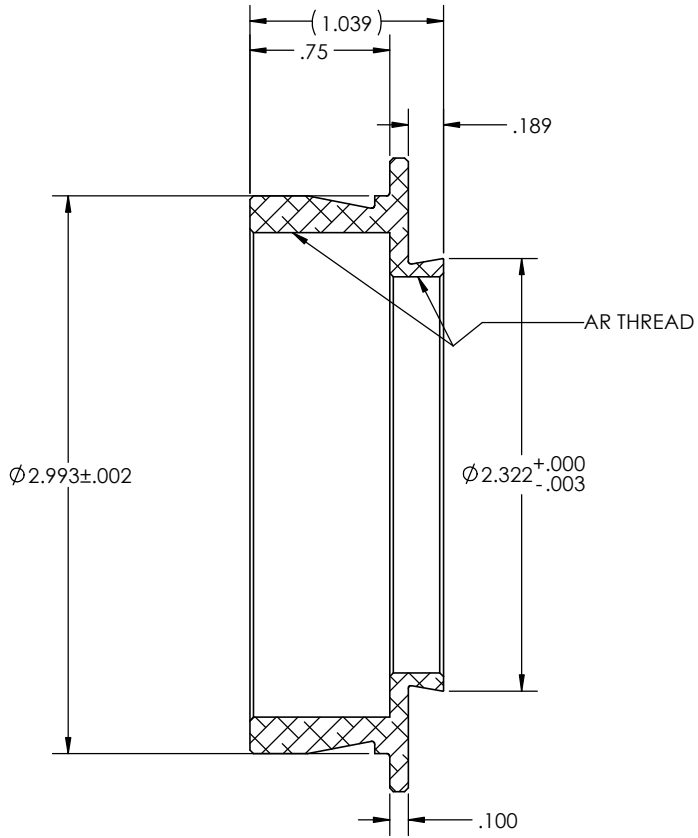
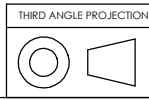
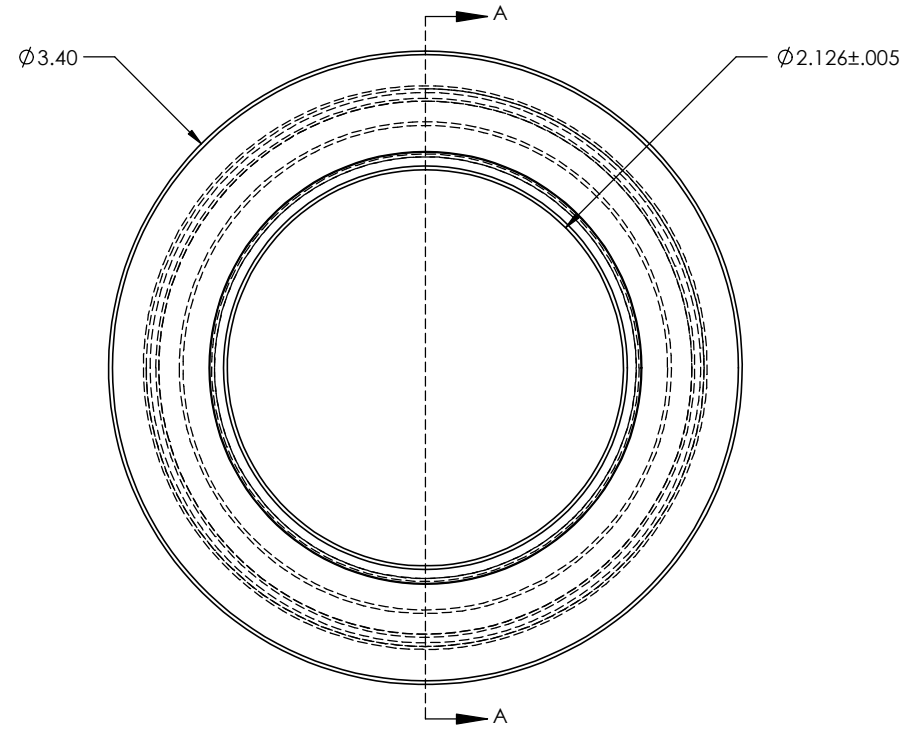


PN 5928
STK NO 17845



SECTION A-A



UNLESS OTHERWISE SPECIFIED: DIMENSIONS ARE IN INCHES TWO PLACE DECIMAL $\pm .007$ THREE PLACE DECIMAL $\pm .003$	DRAWN	NAME	DATE	Optec Inc.
	CHECKED	LD	8/22/17	
	ENG APPR.			
	MFG APPR.			
MATERIAL	CONTRACT			TITLE:
6061-T6	3-INCH ADAPTERS			3" TO ONAG XM
FINISH	SEE NOTES			SIZE
DO NOT SCALE DRAWING				B
				DWG. NO.
				19-06706
				SCALE: 3:2
				WEIGHT:
				SHEET 1 OF 1