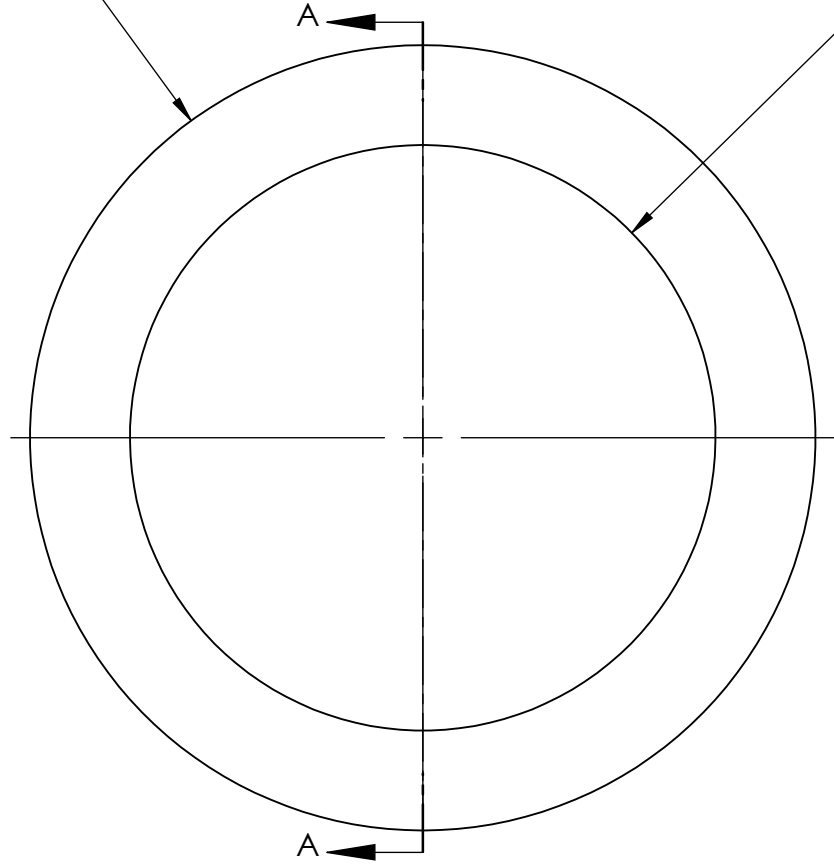
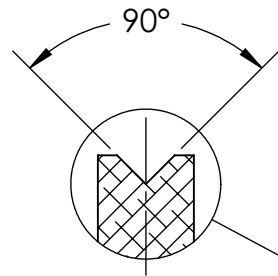


PN 4881
STK NO 17820

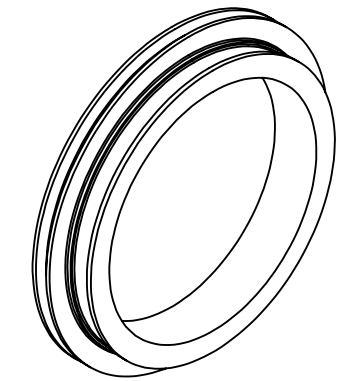
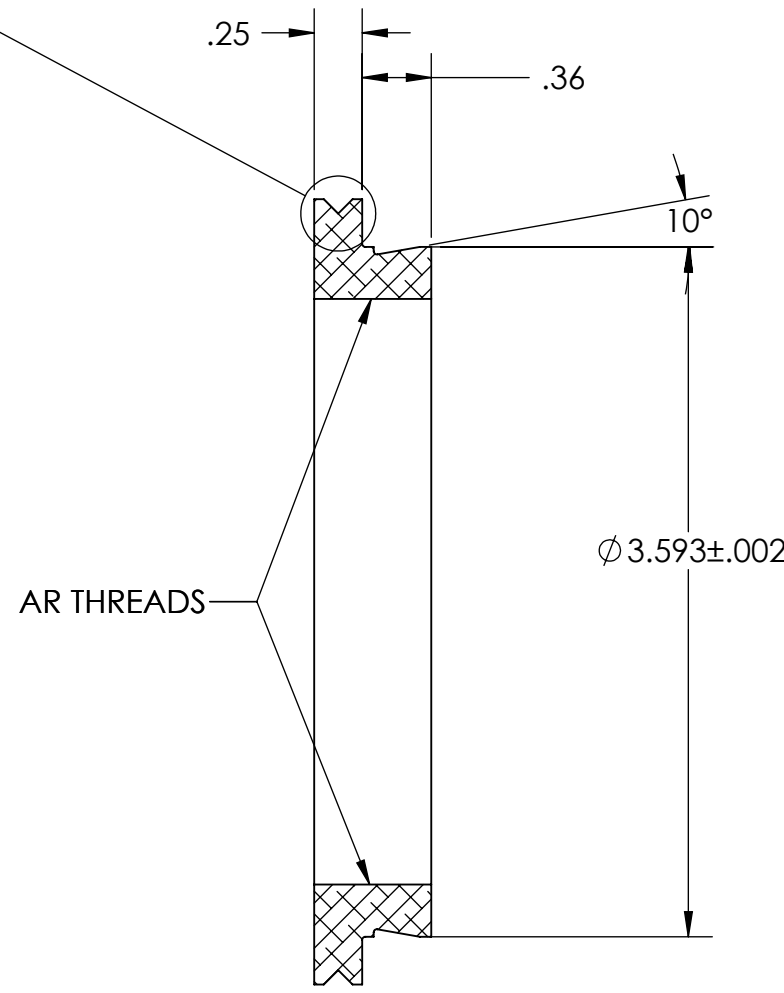
$\phi 4.090 \pm .002$



$\phi 3.05$



DETAIL B
SCALE 2 : 1



NOTE: BREAK ALL EDGES

UNLESS OTHERWISE SPECIFIED:		NAME	DATE	Optec Inc.	
DIMENSIONS ARE IN INCHES TOLERANCES:		DRAWN	LD		
ANGULAR: ± 1		CHECKED	SECTION A-A		TITLE:
TWO PLACE DECIMAL $\pm .007$		ENG APPR.	Contract		FLI PDF 4" V-GROOVE
THREE PLACE DECIMAL $\pm .003$		MFG APPR.			SIZE
MATERIAL		Q.A.	3-INCH ADAPTERS		B 17-06687 1.1
6061				SCALE: 1:1	WEIGHT:
FINISH				SHEET 1 OF 1	
BRIGHT DIP FROSTKOTE BLACK					
DO NOT SCALE DRAWING					