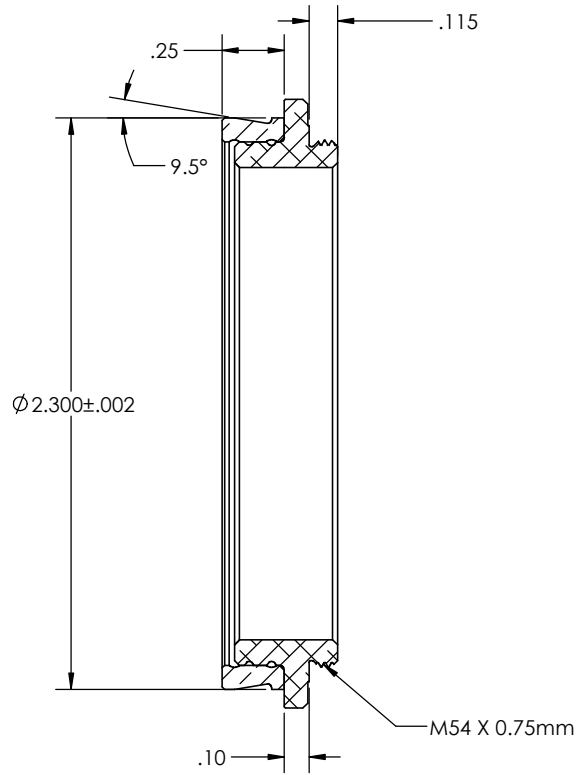
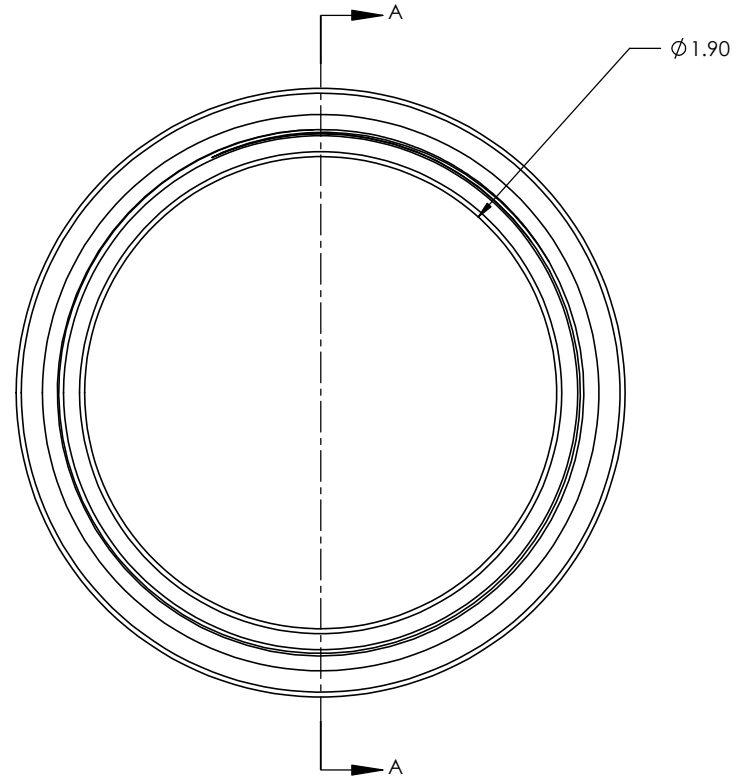


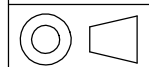
STK NO 17647



SECTION A-A



THIRD ANGLE PROJECTION



UNLESS OTHERWISE SPECIFIED:	DRAWN	NAME	DATE	Optec Inc.			
DIMENSIONS ARE IN INCHES TWO PLACE DECIMAL $\pm .007$ THREE PLACE DECIMAL $\pm .003$	CHECKED	LD	5/8/24			TITLE:	
MATERIAL	ENG APPR.					OPTEC 2300 TO M54X0.75mm	
N/A	MFG APPR.					SIZE	DWG. NO.
FINISH	Q.A.			B			
DO NOT SCALE DRAWING	CONTRACT		OPTEC 2300		SCALE: 2:1	WEIGHT:	SHEET 1 OF 1