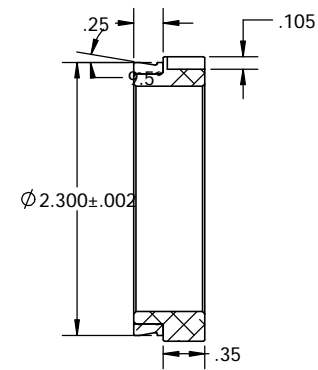
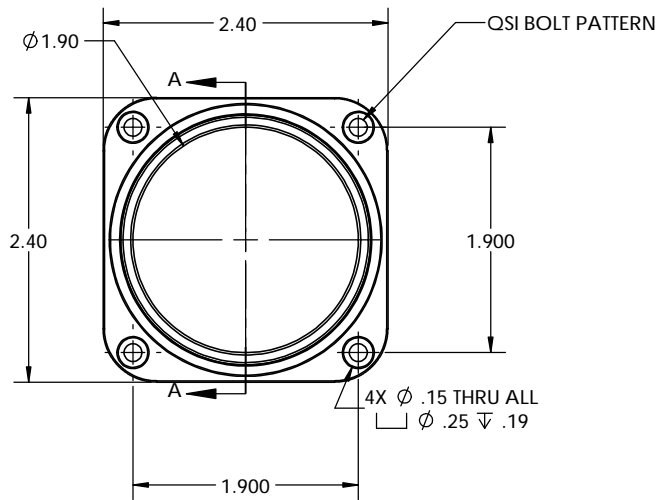
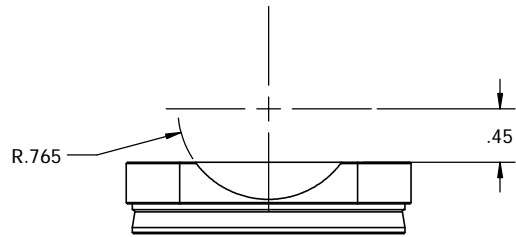
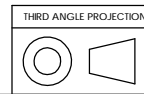


STK NO 17643



SECTION A-A



UNLESS OTHERWISE SPECIFIED: DIMENSIONS ARE IN INCHES TWO PLACE DECIMAL $\pm .007$ THREE PLACE DECIMAL $\pm .003$	DRAWN	NAME	DATE	Optec Inc.
	CHECKED	LD	5/7/14	
	ENG APPR.			
	MFG APPR.			
MATERIAL	N/A	CONTRACT		TITLE: OPTEC 2300 TO QSI 4 BOLT
FINISH	N/A	OPTEC 2300		SIZE DWG. NO. B
DO NOT SCALE DRAWING				SCALE: 1:1 WEIGHT: SHEET 1 OF 1